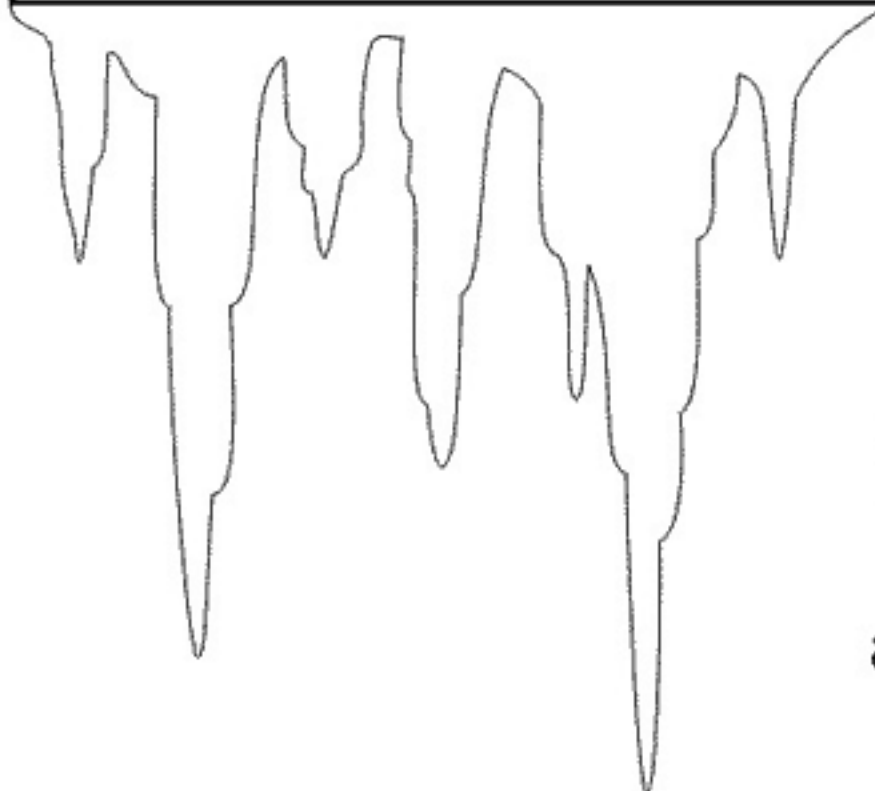
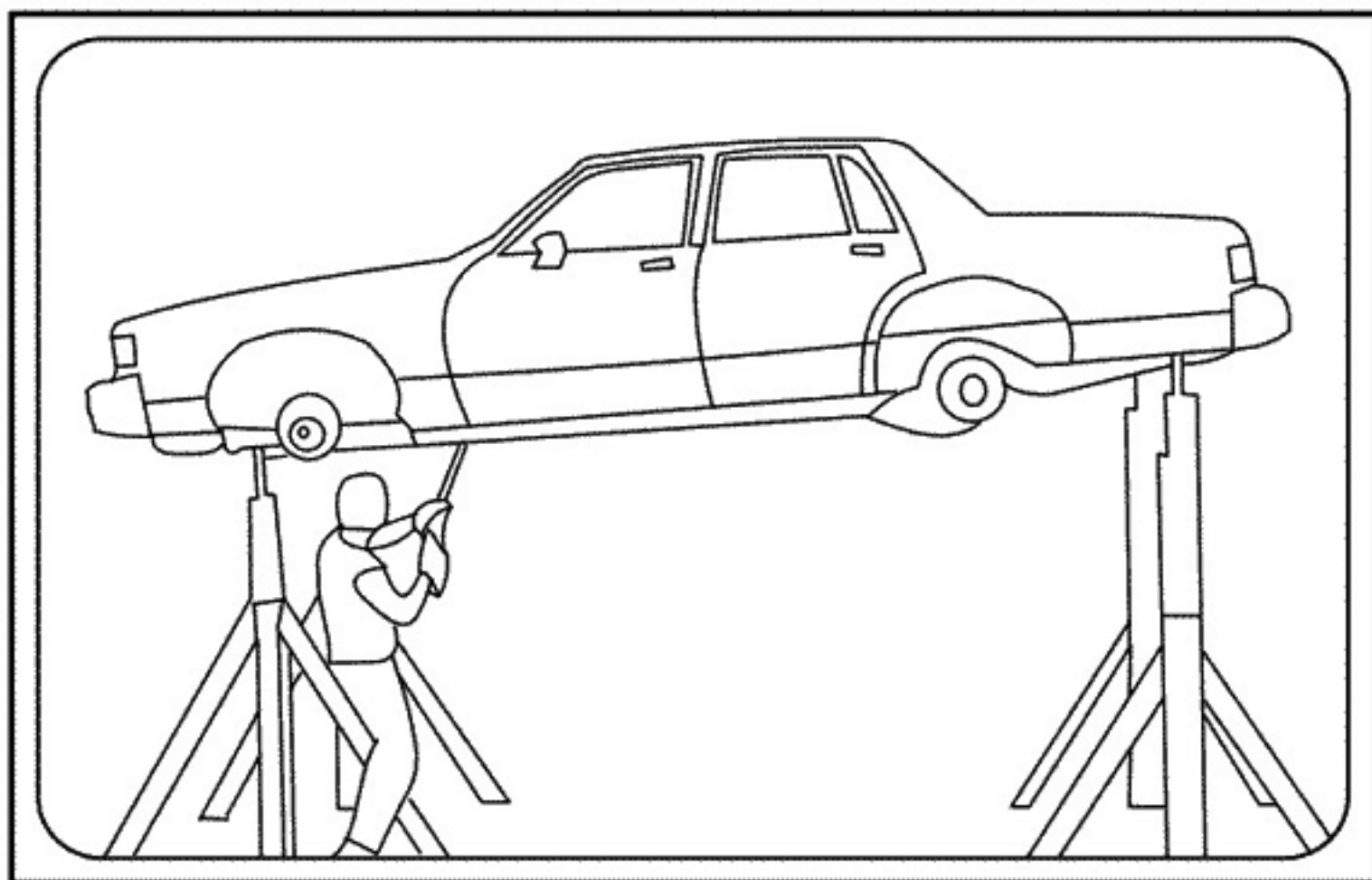


© 2002 Mike Pineda & Company, Inc. - 800-228-2004

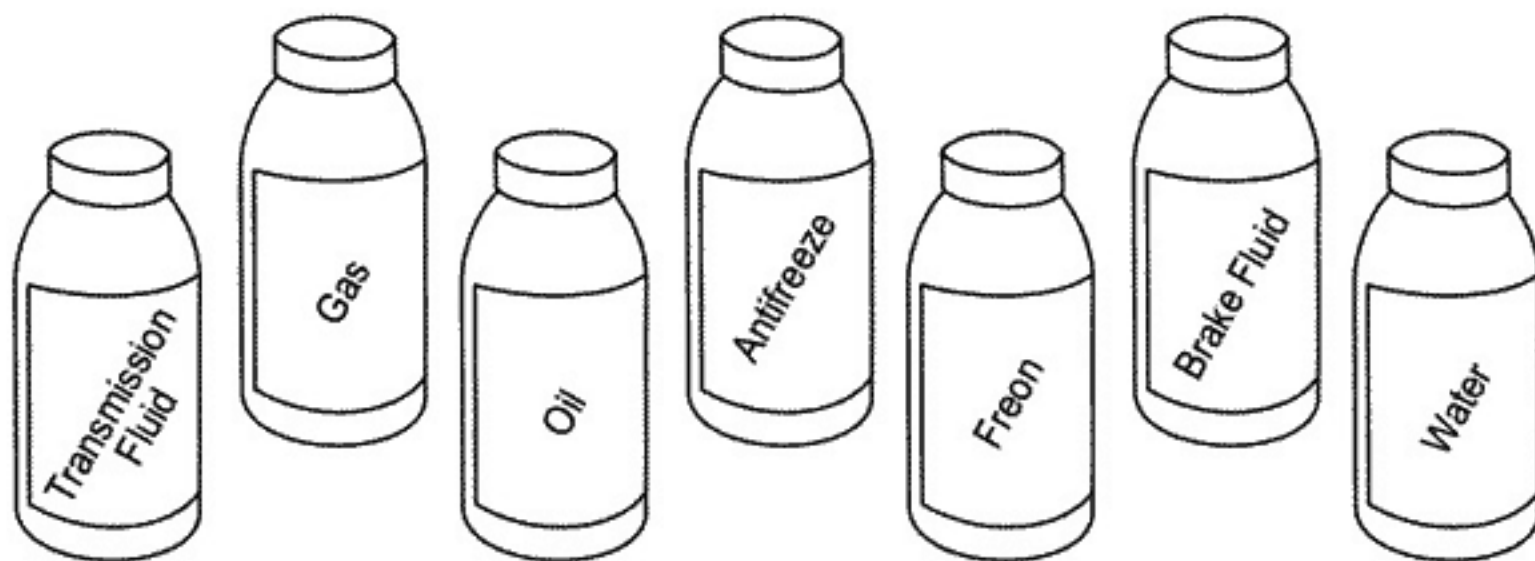


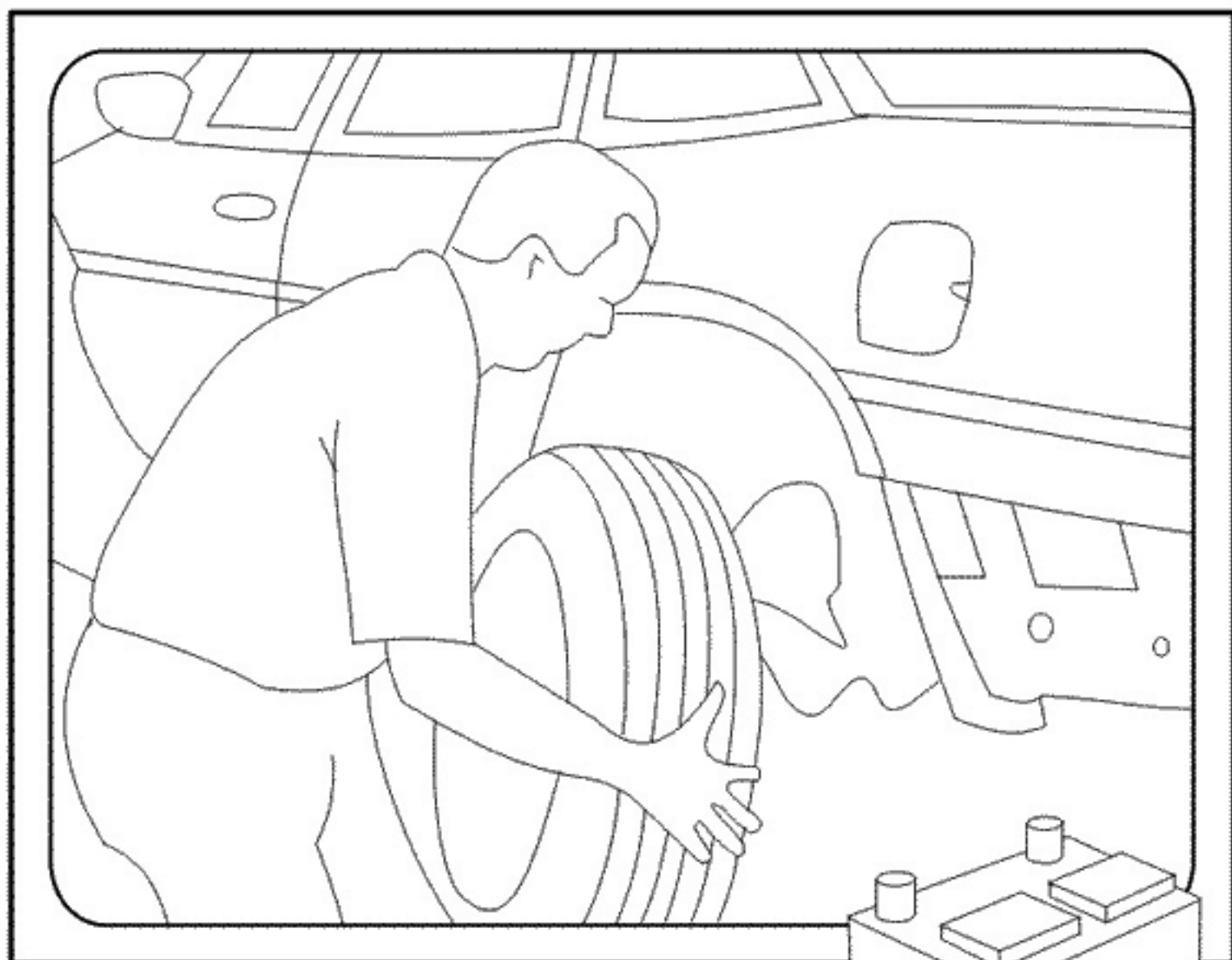
**Certified  
workers remove  
Freon to be tested  
and reused. Freon  
is the chemical that  
makes things like  
air conditioners and  
refrigerators cold.**



© 2000 Miller Peruch & Company, Inc. - 905-240-3334

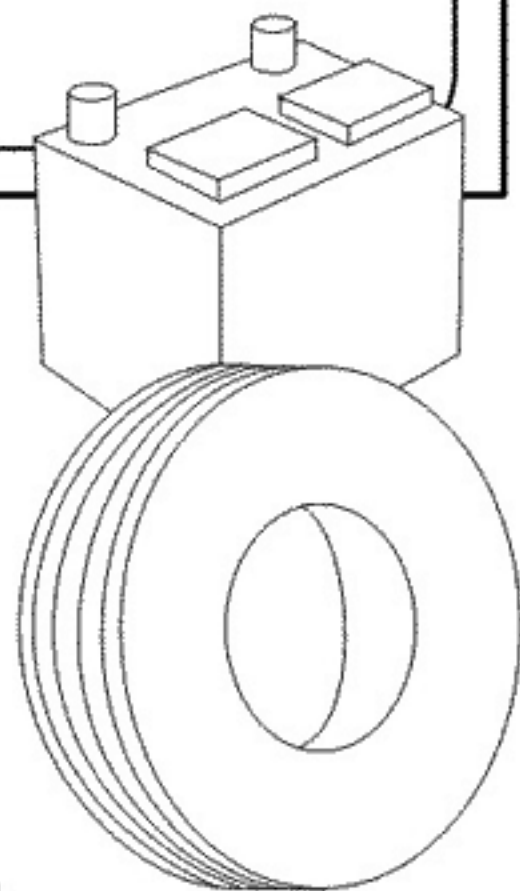
All of these seven fluids are removed from the car or truck and recycled. This prevents fluids leaking onto the ground and polluting our world.

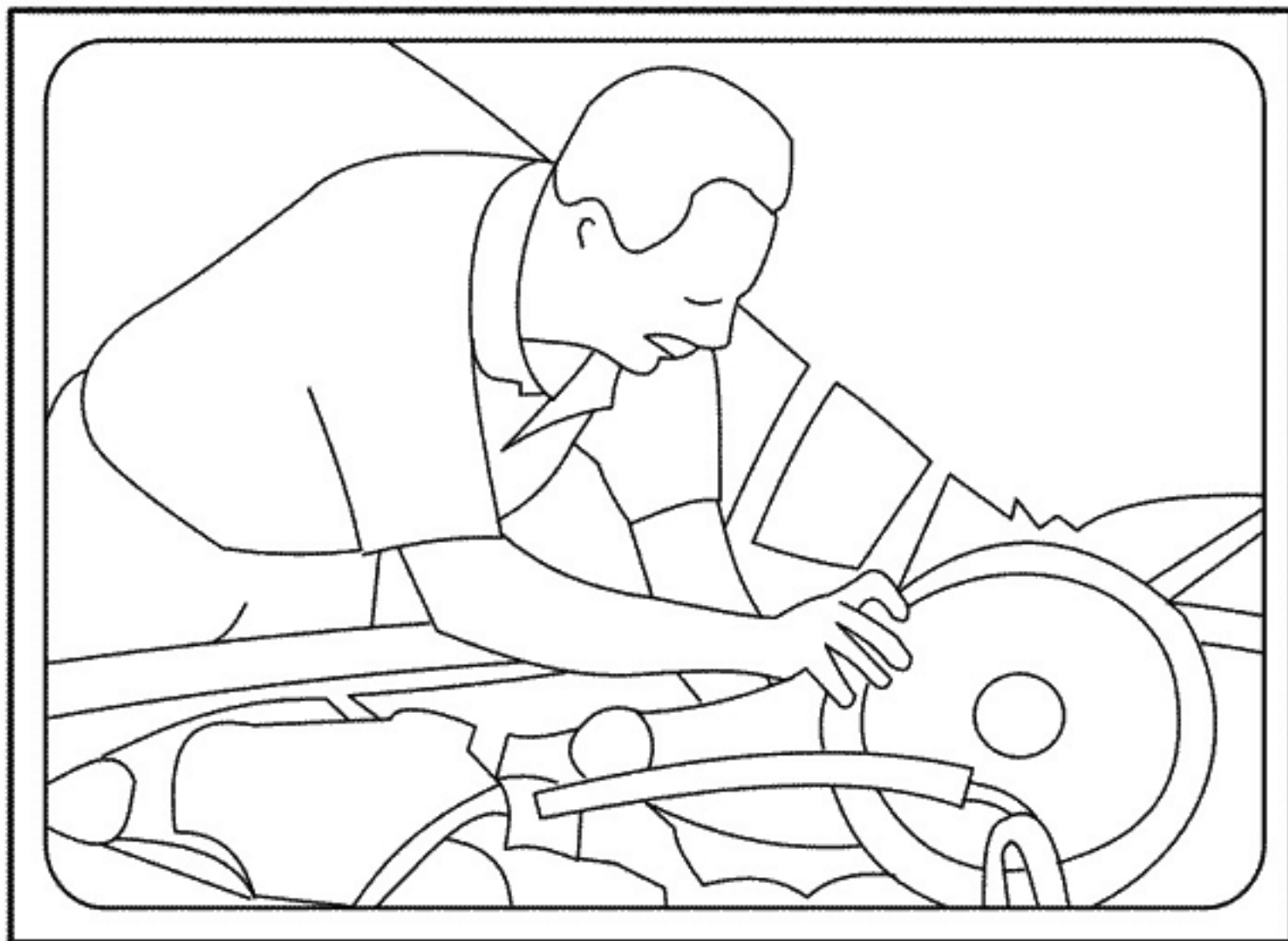




© 2011 The Green & Company, Inc. - 800-288-3334

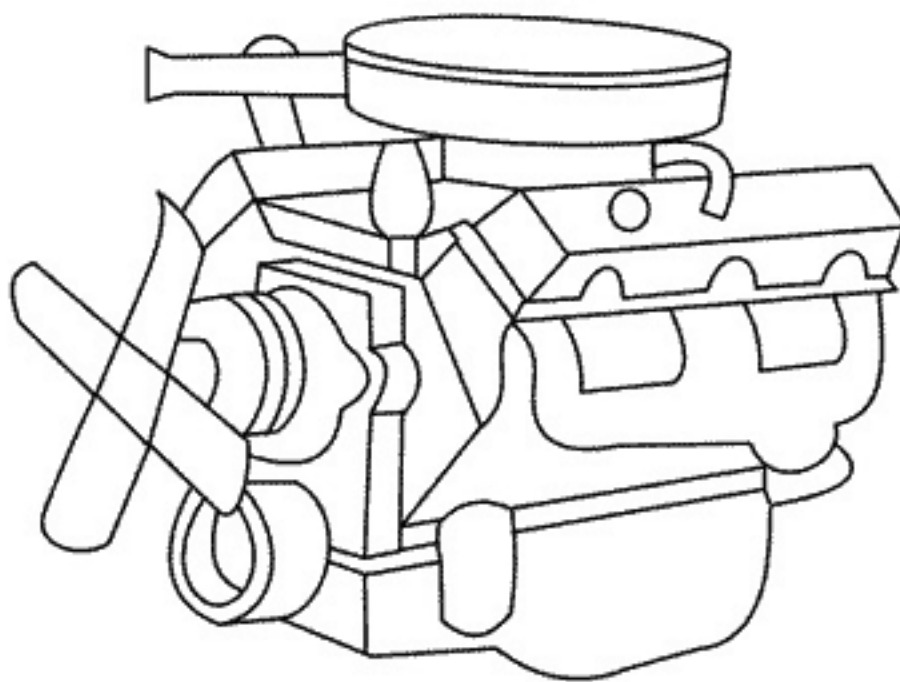
Tires are removed and those with good tread are sold again. Tires that don't have good tread are recycled into rubber products like shingles for your roof and rubber boots to wear. Batteries that are still good are taken out of the car and sold. Batteries that don't work are recycled to prevent polluting the environment.

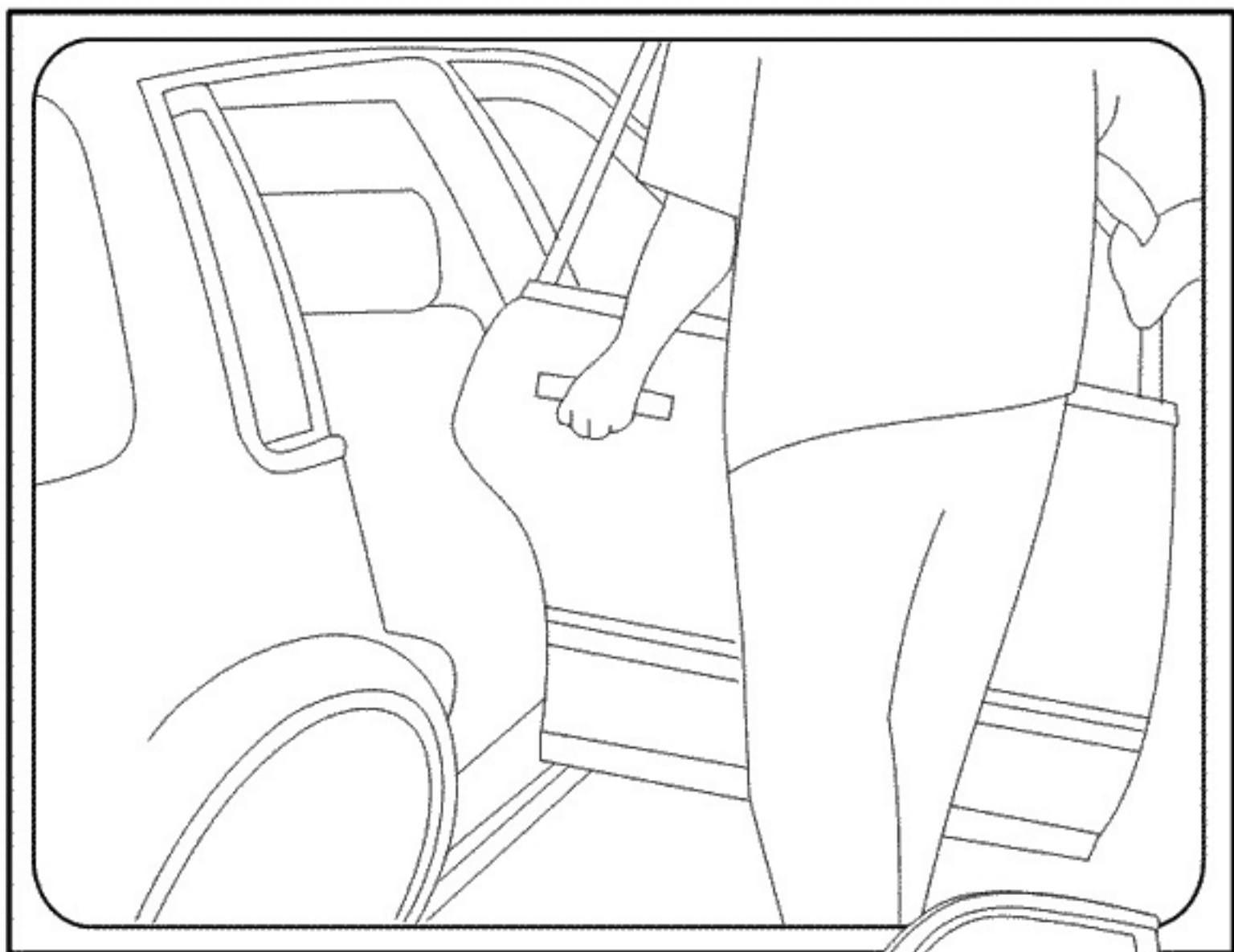




© 2012 Infor-French & Company, Inc. - 401-251-6014

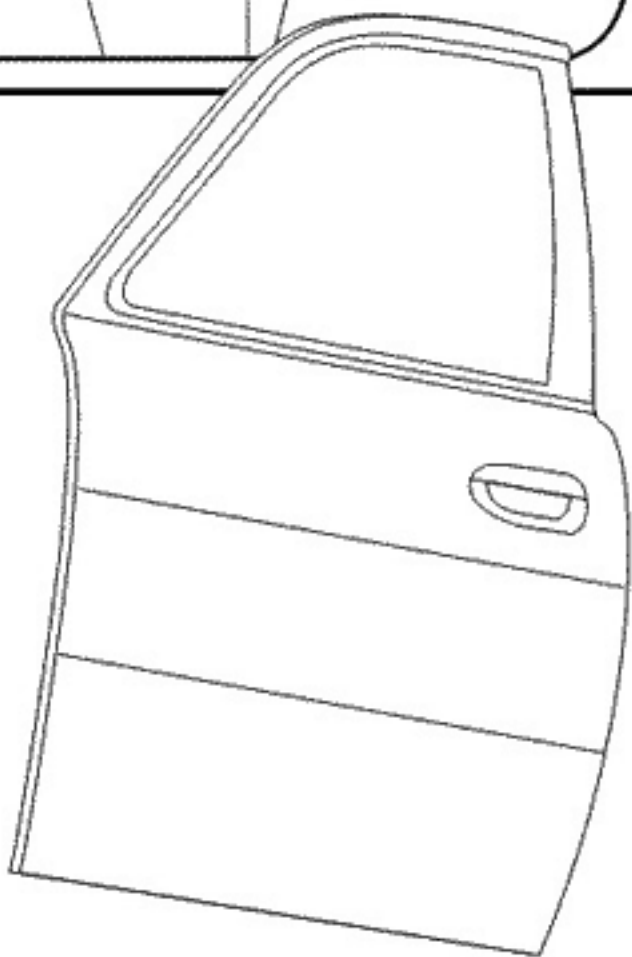
Engines are tested and taken out. Engines that don't work very well are fixed or sold for scrap metal. Engines that work well are put in other cars.

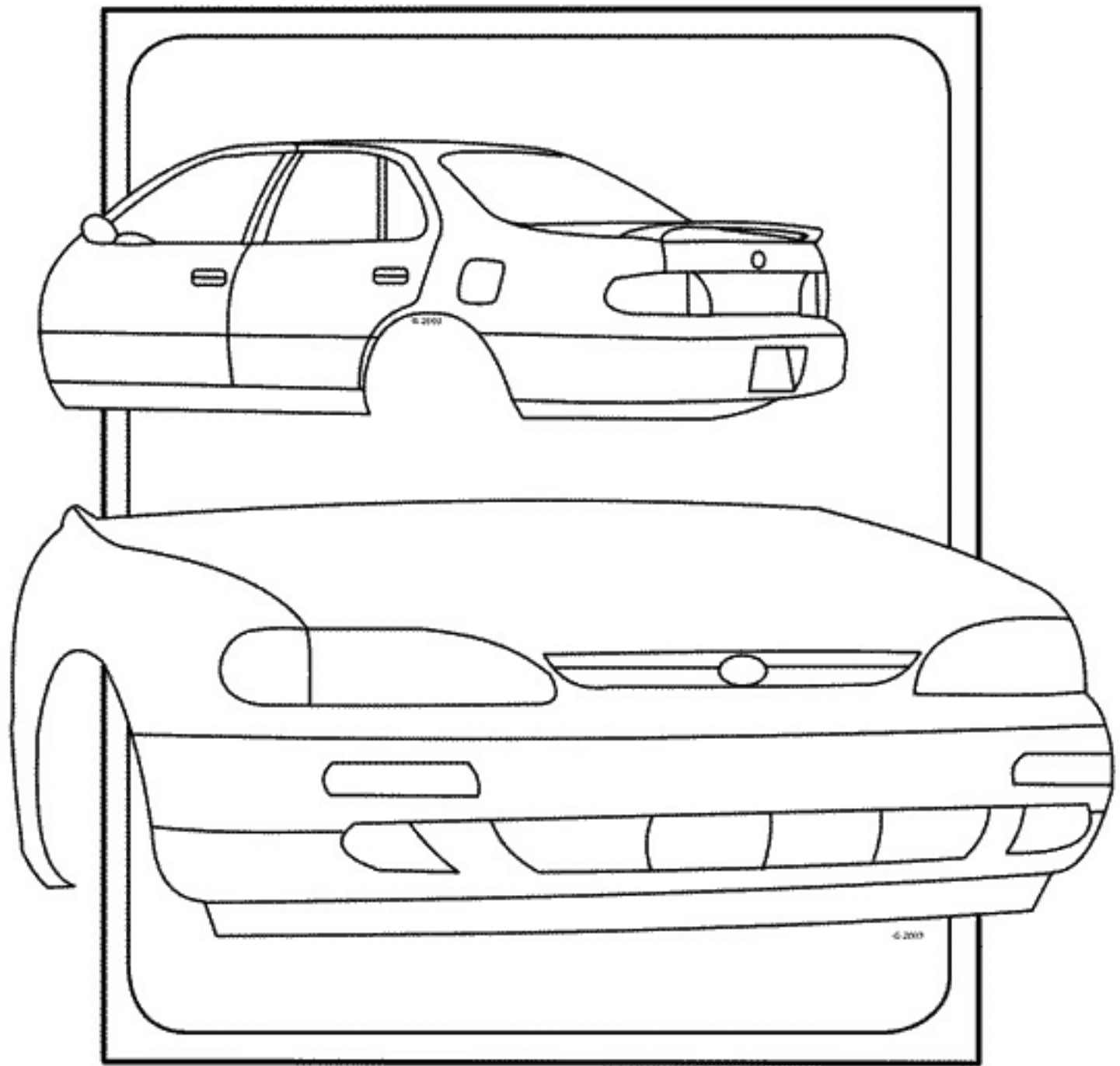




© 2003 Alfa Romeo & Company, Inc. - 409-234-2934

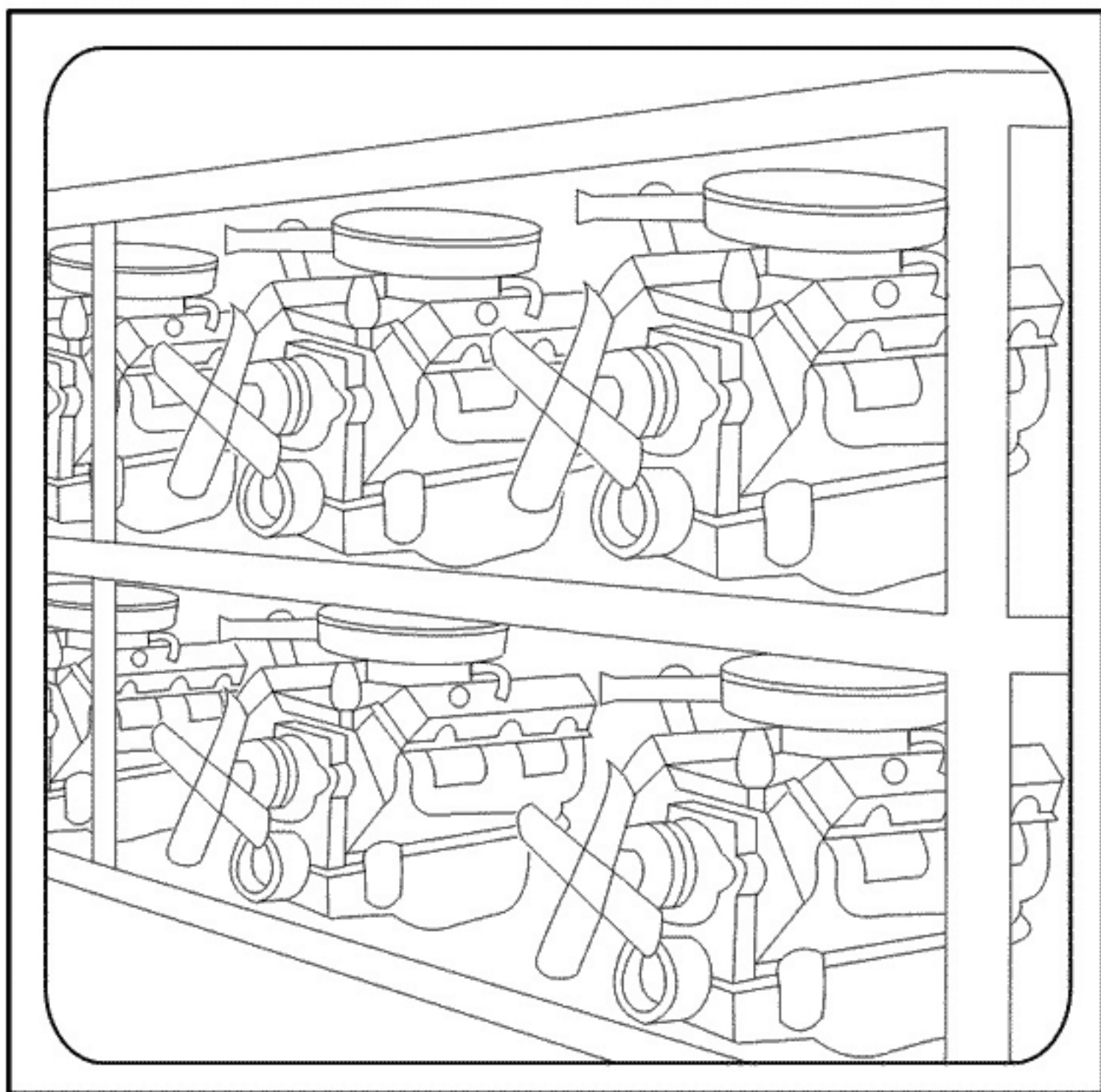
Sheet metal parts  
are removed and often  
sold in one piece. This is  
called an assembly. A  
door assembly includes  
the shell, glass,  
handle and trim.





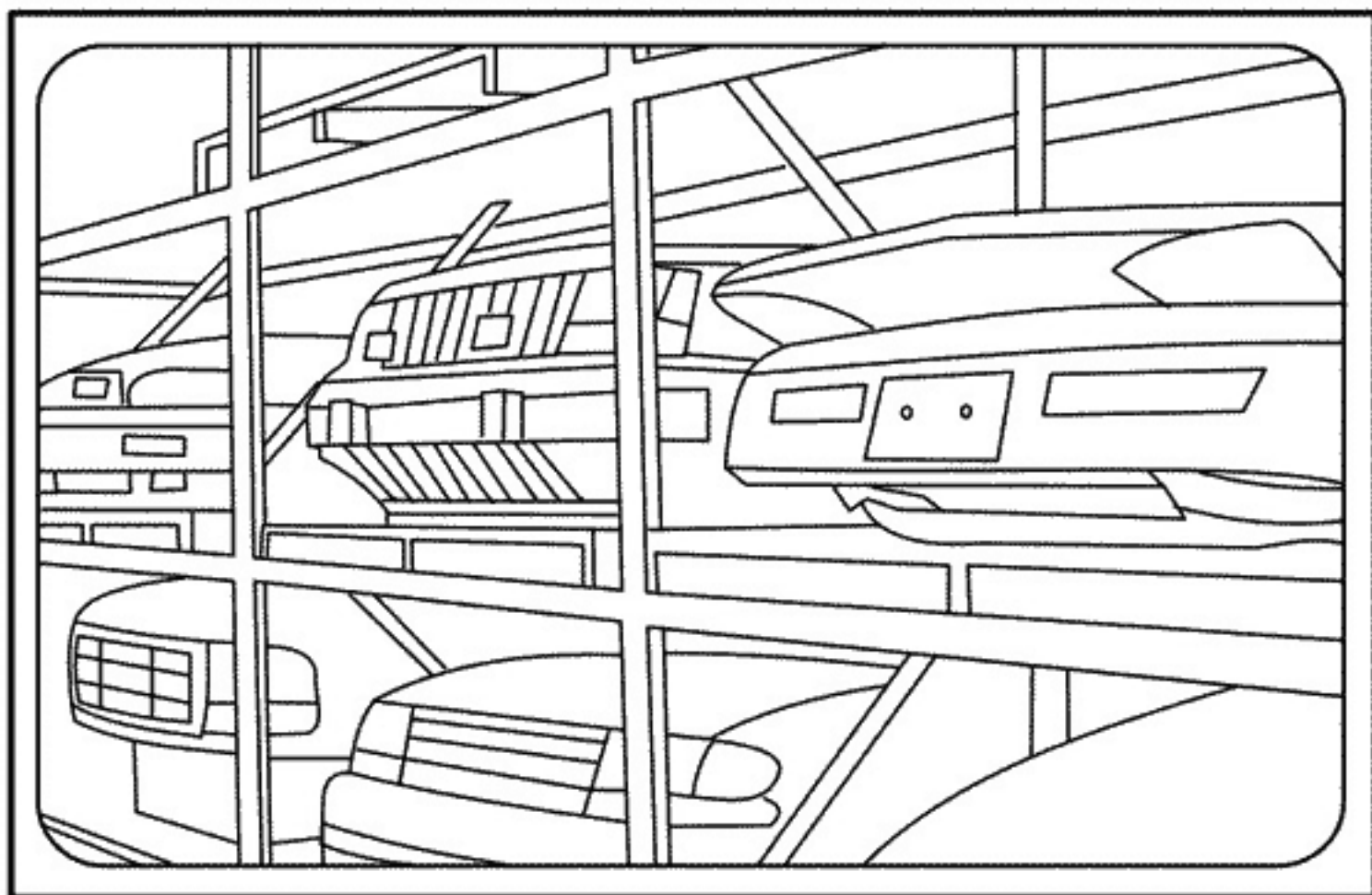
© 2007 ABW Power & Controls, Inc. - 800-230-0034

Large assemblies are sold as a complete set.  
A front end assembly includes the hood,  
fenders, grill, bumper, lights and trim.



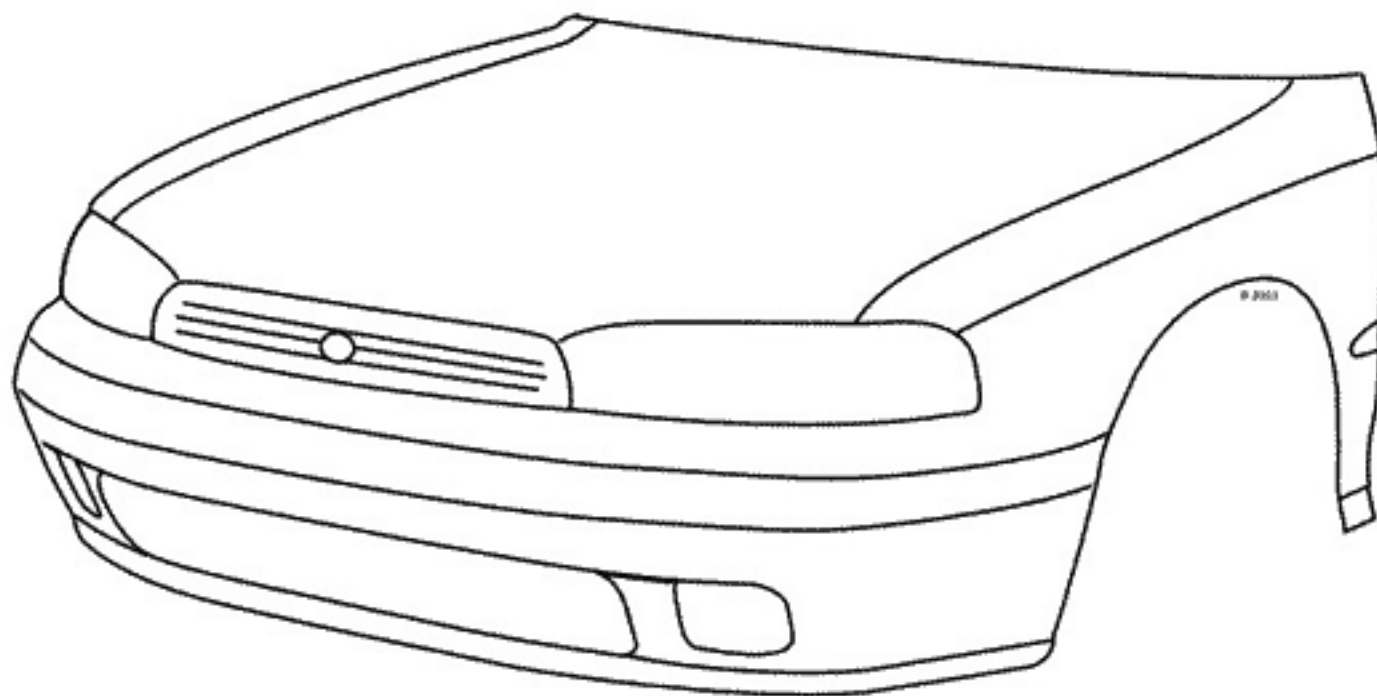
© 2007, Mike French & Company, Inc. - 800-238-3838

**Parts are stored in the warehouse  
waiting for delivery to a repair  
shop or a customer.**



© 2013 GMu Faxon & Company, Inc. - 801-230-1814

Large pieces of cars and trucks are also stored.  
This makes it easier and faster to install  
these parts in different vehicles.







© 2000 Alfa Romeo & Company, Inc. - 800-250-3904

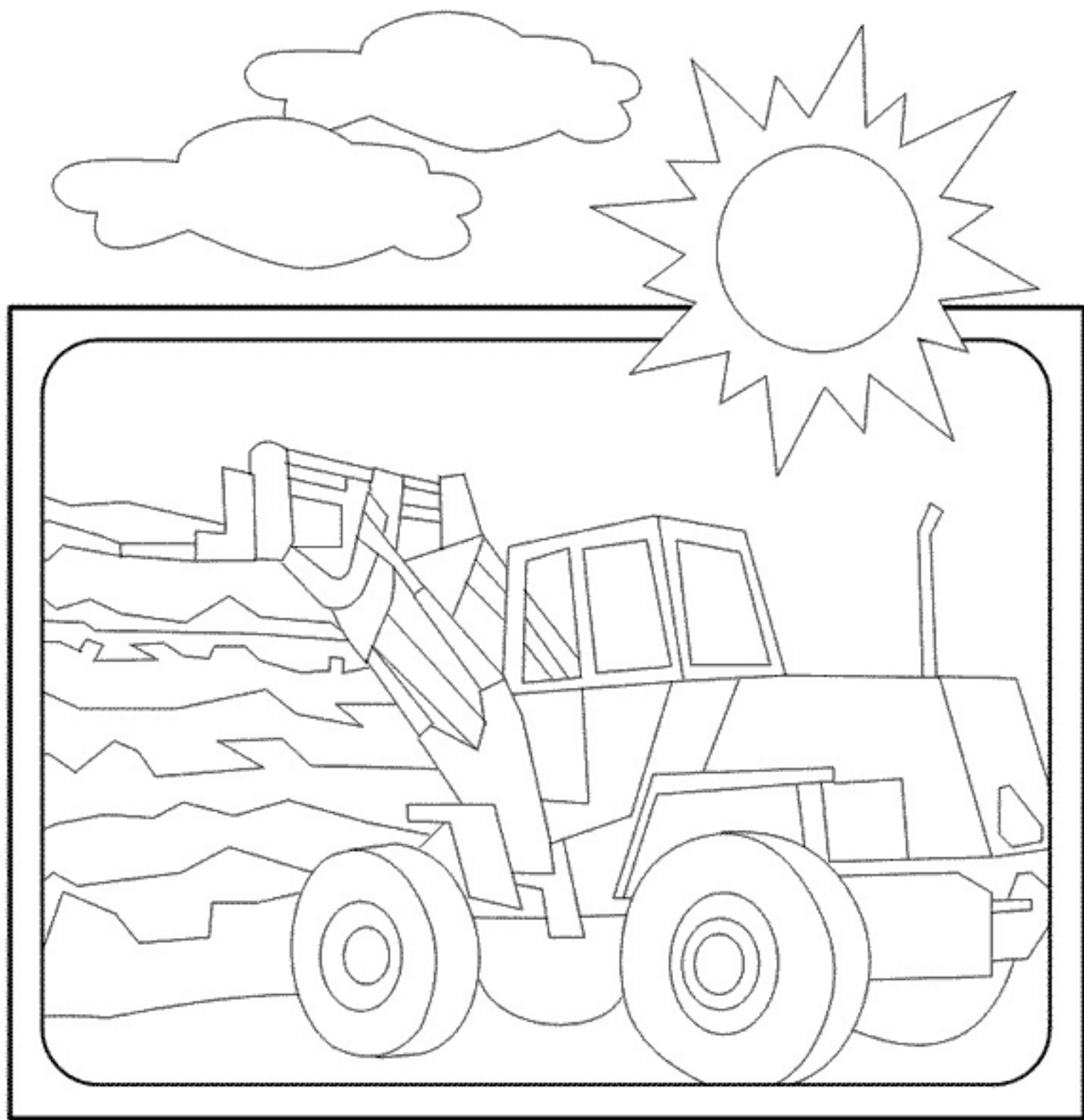
**Friendly sales people help customers buy the right part to fix their vehicle. Recycled parts save customers millions of dollars every day, provide jobs and also help the environment.**



© 2002 Max Frisch & Company, Inc. 100-239-1014

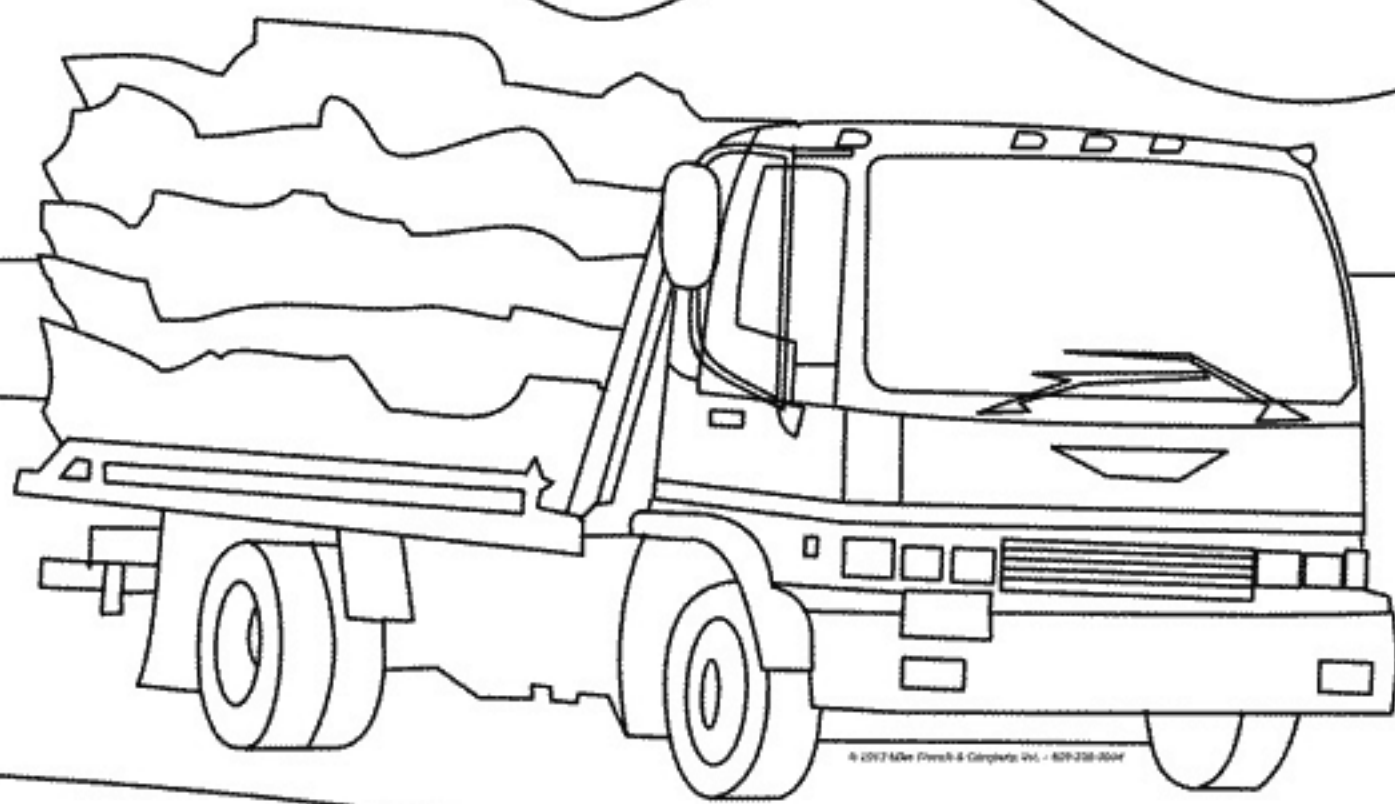


Computers are used to find and help sell parts to customers. Most parts come with a guarantee.

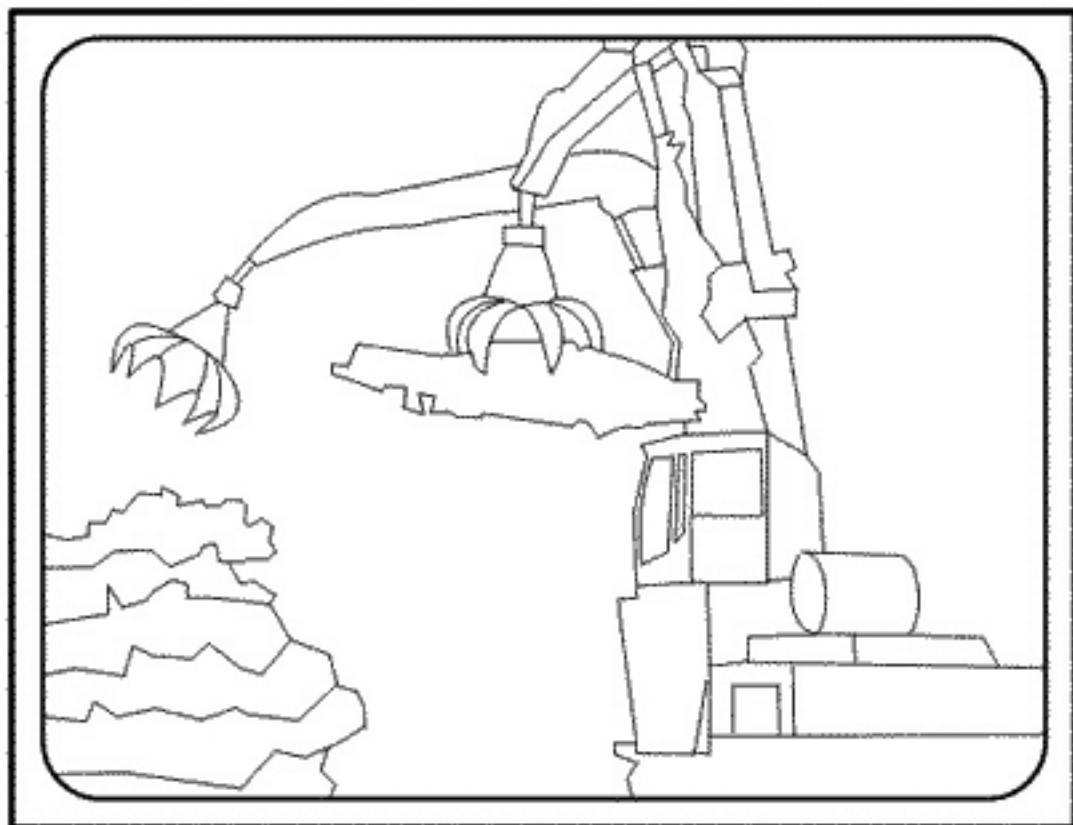


© 2003 John Deere & Company, Inc. - 800-225-2628

**Dismantled cars and trucks  
are smashed by car crushers and  
are loaded on trucks.**

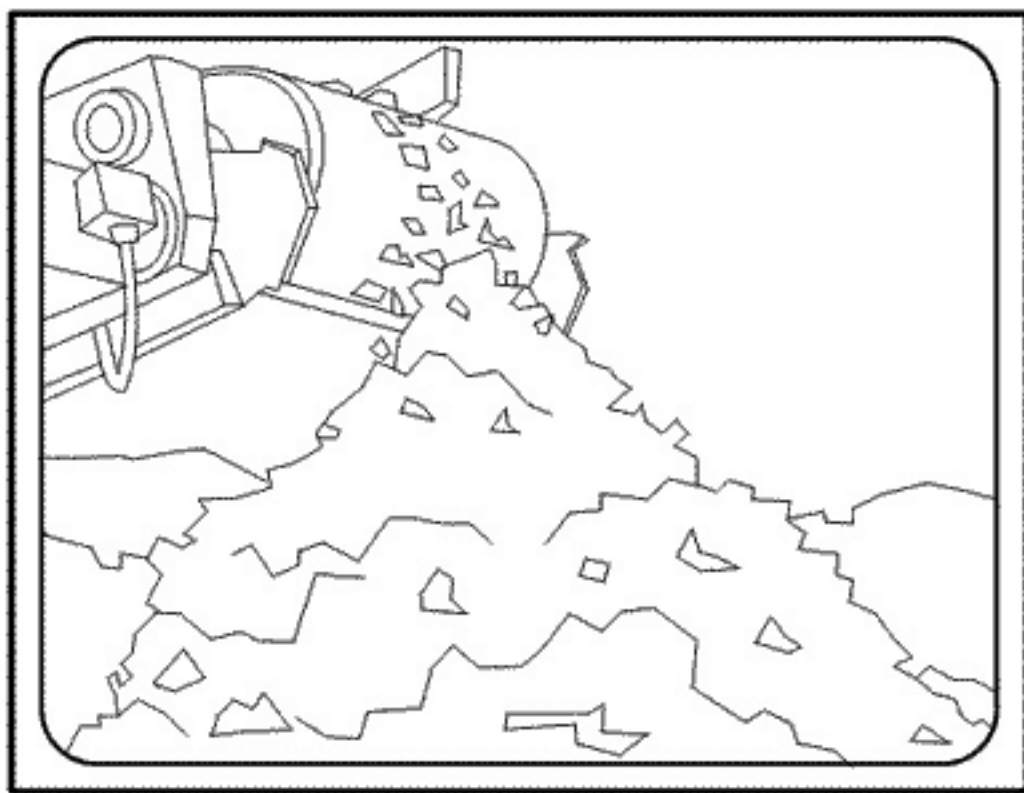


**Neat stacks of crushed car bodies are taken to shredding and smelting factories.**



© 2007 Allen Press & Company, Inc. - 800-234-3634

Big cranes lift the crushed vehicles. Vehicles are shredded for smelting. Shredding breaks the vehicles into small pieces. Smelting is when the metal is melted-down so it can be used again.



© 2007 Allen Press & Company, Inc. - 800-234-3634

**DIRT**

**GLASS**

**PLASTICS**

**CARPET**

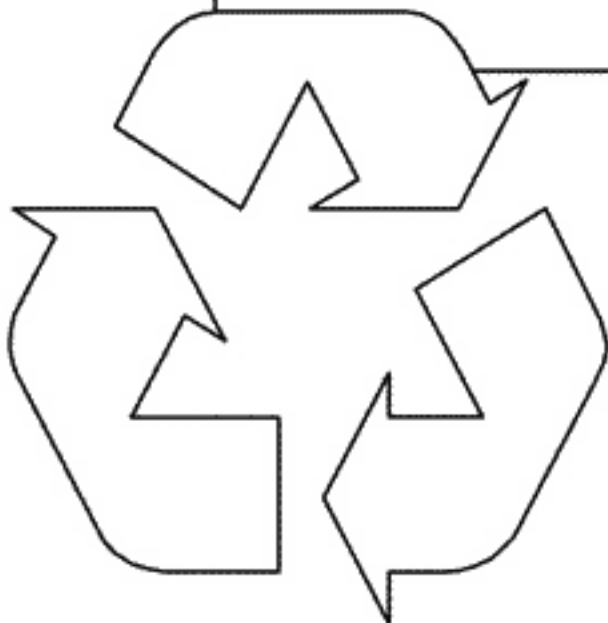
**FIBERS**

**RUBBER**

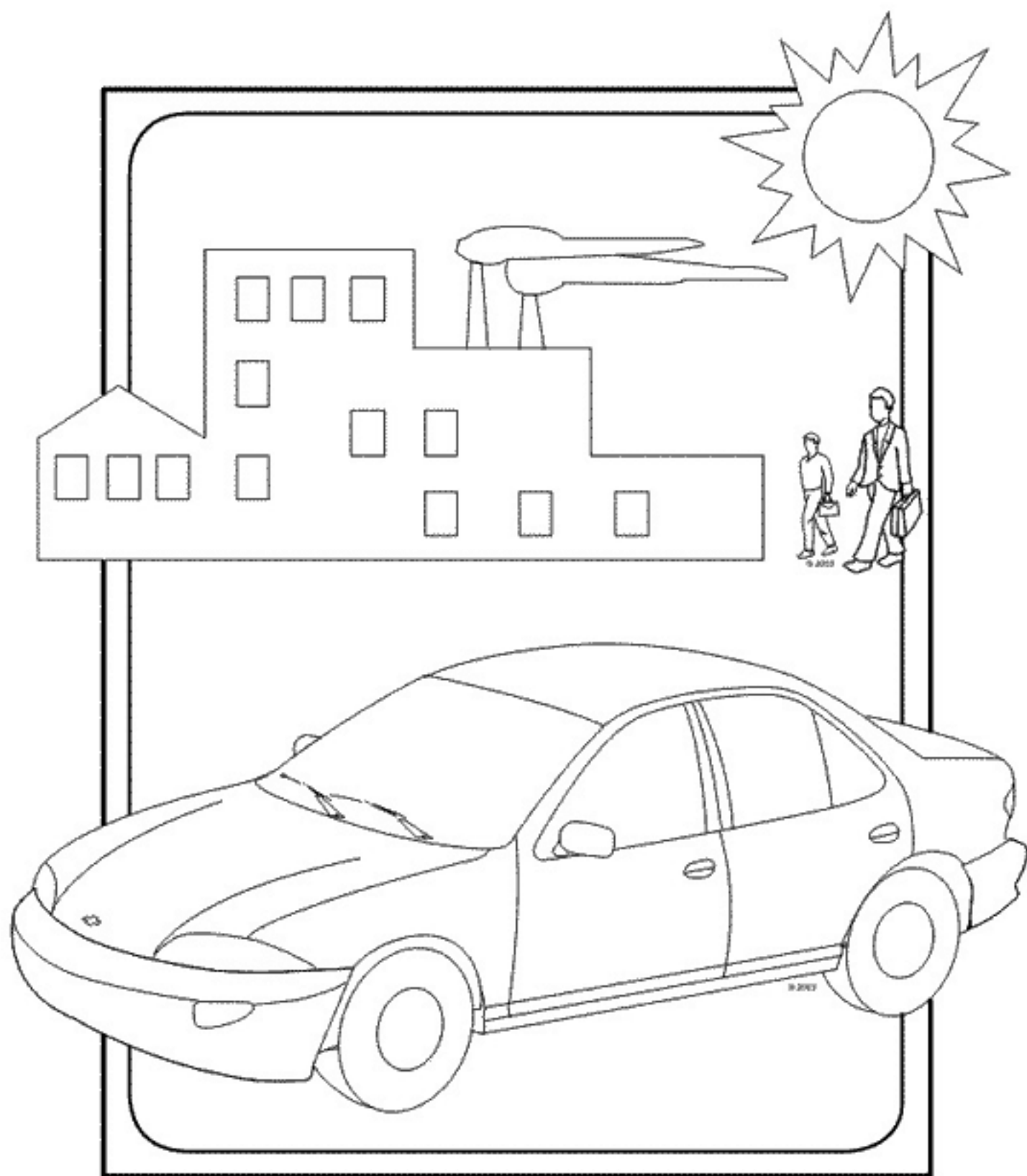
**SEAT FOAM**

**ALL TYPES OF METAL**

© 2000 Alfa-Facetti & Company, Inc. - 800-218-3434



**Shredded materials are sorted for recycling.**



© 2010 Alfa Romeo & Company, Inc. - 800-214-2014

**Shredded and smelted metal can be used  
to make new products - even new cars!  
Auto recyclers are important to our economy.  
They recycle over 11 million vehicles each year.  
Recycling is everyone's business!**

**Auto Recycling Center** - A facility where wrecked vehicles are dismantled so that parts can be reused and recycled.

**Certified Workers** - These workers are trained so that they can work with specific chemicals.

**Freon** - Is the chemical that makes air conditioners and refrigerators cold. Freon is captured and recovered because if it escapes it can cause environmental problems like adding to the holes in the ozone.

**Transmission Fluid** - Is the fluid that helps the gears in the car run smoothly.

**Antifreeze** - Is the fluid that prevents the engine from freezing in cold weather.

**Brake Fluid** - Is the fluid that helps the car stop when you push the brakes.

**Tread** - The layers of rubber on a tire.

**Batteries** - Car batteries provide electrical power in the car so you can start it and play the radio, etc.

**Engine** - Is the machine that makes the car drive.

**Scrap Metal** - Is the metal in cars that can be reused or recycled.

**Sheet Metal** - Is the flat pieces of metal like doors and hoods on a car.

**Dismantle** - To take something apart.

**Car Crushers** - Large machines that crush vehicles into flat or square pieces.

**Shred** - To cut up in small pieces.

**Smelt** - To melt in a furnace.

**Guarantee** - A promise or pledge. If a part is guaranteed it means that the seller will take it back, or replace it, if something is wrong with it.

**Fibers** - Threads or strands. Like the fibers in the fabric that covers the seats in a car.



## What You Can Do to Help the Environment

- ◆ Take a lunch to school and use reusable containers instead of plastic and paper bags.
- ◆ Use rags to clean up spills instead of paper towels.
- ◆ Ask your parents to take your own reusable bags to the market instead of using throw-away plastic or paper bags.
- ◆ Recycle your newspaper, plastic & glass bottles and aluminum cans.
- ◆ Don't waste water. Take shorter showers and baths.
- ◆ Encourage your parents to rideshare. Carpool, take the bus, the train, walk or even bicycle.
- ◆ Plant your own garden and use organic fertilizers instead of chemical ones.
- ◆ Participate in your community clean-up-efforts. Remove trash from the park, beach or even your local neighborhood.
- ◆ Ask your parents to take household toxins including old house paint, clean-in products and automobile fluids like used motor oil and antifreeze to recycling facilities.
- ◆ Trade your aerosol can items like hair spray for pump bottles.
- ◆ If your family takes clothes to the dry cleaners, return the plastic covers and hangers to the dry cleaners for recycling.
- ◆ If you buy books to read, exchange them at your local bookstore for new books to read, or better yet, use your public library.
- ◆ Buy recycled vehicle parts from your local auto recycler.